

# STICK

## SK 015..35

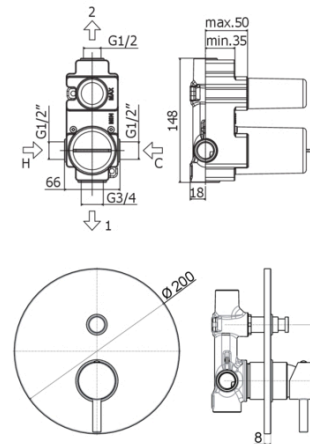
with push diverter



### IMAGE



### TECH DRAWING



### DESCRIPTION

Concealed shower mixer (2 outlets) complete with:

- metal wall plate  $\varnothing 200\text{mm}$
- 1/2"G hot/cold and upper connections - 3/4"G lower connection
- **concealed body included**

### FINISHES



CR

### LINKS



FLOW RATE



SPARE PARTS



INSTRUCTION SHEET

ISO 14001  
BUREAU VERITAS  
Certification



ISO 45001  
BUREAU VERITAS  
Certification



ISO 9001  
BUREAU VERITAS  
Certification



Product, measurements and specifications shown are subject to change without notice.