

# GREEN

## GR 015

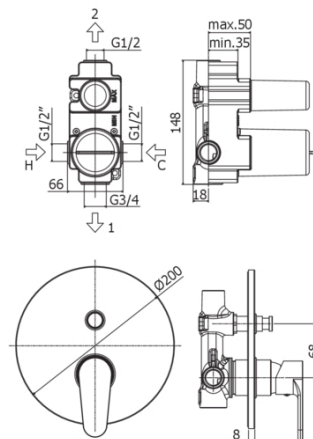
with push diverter



### IMAGE



### TECH DRAWING



### DESCRIPTION

Concealed shower mixer (2 outlets) complete with:

- metal wall plate  $\text{Ø}200\text{mm}$
- 1/2"G hot/cold and upper connections - 3/4"G lower connection
- **concealed body included**

### FINISHES



CR

### LINKS



FLOW RATE



SPARE PARTS



INSTRUCTION SHEET

ISO 14001

BUREAU VERITAS  
Certification



ISO 45001

BUREAU VERITAS  
Certification



ISO 9001

BUREAU VERITAS  
Certification



Product, measurements and specifications shown are subject to change without notice.