

# RED

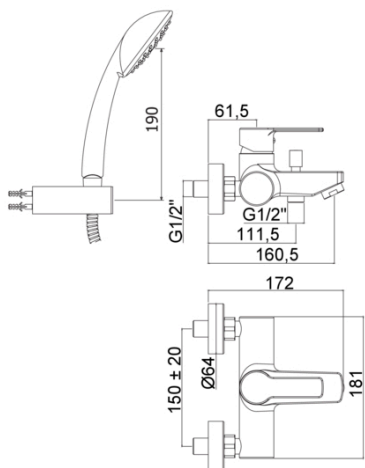
## RED 024



with Stick wall bracket

- with Lance hand-shower and flexible hose

### TECH DRAWING



### DESCRIPTION

Bath/shower mixer with diverter complete with:

- aerator M28x1
- set of 2 S-wall-unions 1/2"x3/4"G and wall-plates

### FINISHES



CR

### LINKS



FLOW RATE



SPARE PARTS



INSTRUCTION SHEET

ISO 14001  
BUREAU VERITAS  
Certification



ISO 45001  
BUREAU VERITAS  
Certification



ISO 9001  
BUREAU VERITAS  
Certification



Product, measurements and specifications shown are subject to change without notice.